

Catalog #:	
Project:	
Type:	Date:
Notes:	

# Led flood light



## Key Features

### OPTICS:

- FL06C series Light engines are available in standard 4000K, 5000K and 5700K configurations.
- beam angle is 7H6V.

### ELECTRICAL:

- Input voltage:120-277VAC(90W&300W),120-347VAC(150W)
- 1-10V dimming for 100-300W
- THD: ≤20%, Power Factor: ≥0.9.

### INSTALLATION:

- with FM or Yoke bracket easy to install

### LIFESPAN:

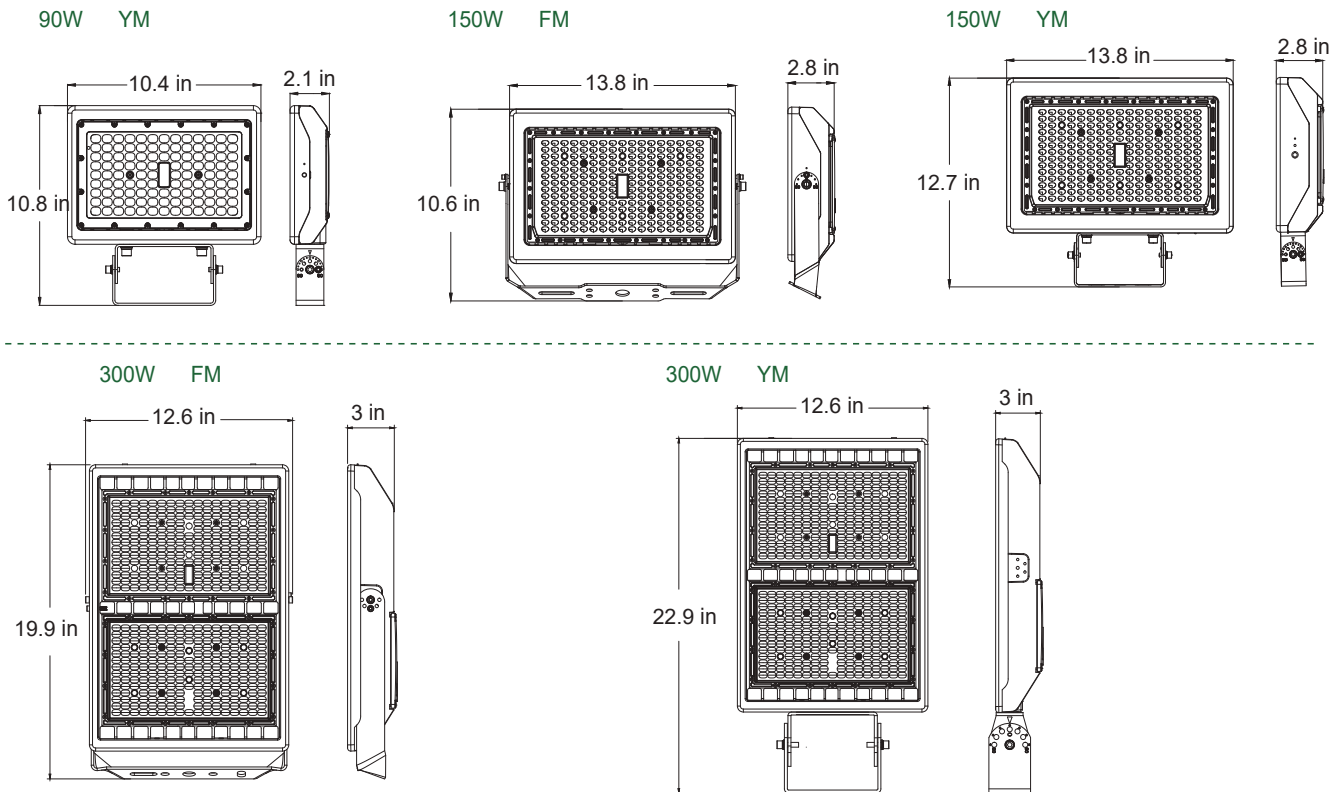
- Estimated 50,000-hour LED lifespan based on IES LM-80 results and TM-21 calculations.

### LISTINGS:

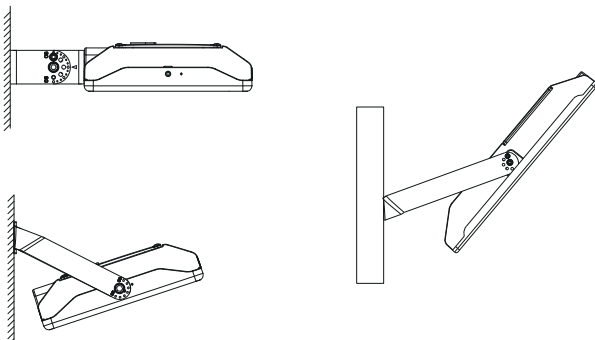
- DesignLights Consortium® (DLC) Premium qualified and DLC qualified.
- UL listed for wet locations.
- Rated for ambient operating temperature -40°F to 113°F (-40°C to 45°C ).

Model No	Power (W)	Voltage	CRI	5000K		Dimension	Weight (lbs)
				Lumens	Efficacy		
ML-FL06-90WCH8A1-BKYM50	90W	120-277V	>80	12150lm	135lm/w	10.4×10.8×2.1"	6.8
ML-FL06C-150WCH8A1-BKYM50	150W	120-347V	>70	19950lm	133lm/w	13.8×10.6×2.8"	16.1
ML-FL06C-150WCH8A1-BKFM50	150W	120-347V	>70	19950lm	133lm/w	13.8×12.7×2.8"	16.5
ML-FL06C-300WCH8A1-BKYM50	300W	120-277V	>70	43500lm	145lm/w	12.6×22.9×3"	24.6
ML-FL06C-300WCH8A1-BKFM50	300W	120-277V	>70	43500lm	145lm/w	12.6×19.9×3"	24.9

## Dimensions



## Installation Diagram



## Distribution Diagram

