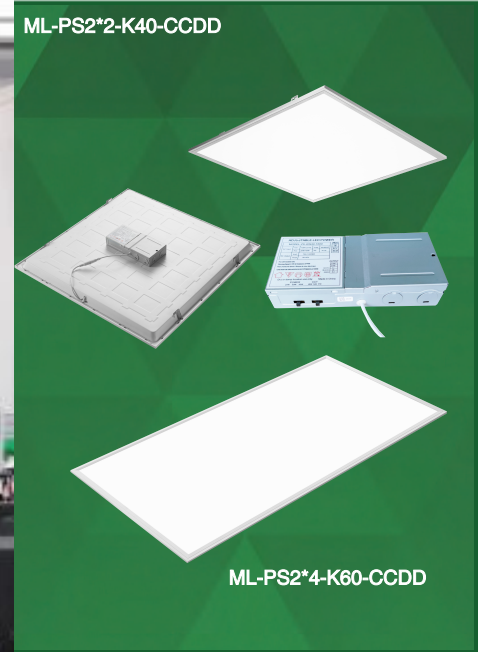


LED Back-lit Panel Light



Key Features

- This ultra-thin ceiling troffer seamlessly into standard drop ceiling troffer.
- Openings or can be surface mounted to ceilings and walls.
- Suitable for retrofit and new construction.
- Easy and quick to install.
- Top of Class Efficacy of 125Lm/W or greater.
- Even light diffusion across panel surface.
- Standard 3-in-1 dimming(0-10V;PWM;Rx)
- CCT Tunable & Power adjustable

Input Voltage: AC100-277V

Operating frequency: 50/60Hz

Power factor: >0.95

Ambient temperature range: -20°C~+45°C

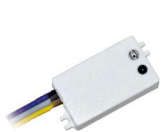
Color Temp: WW/NW/PW tunable

THD: ≤10% !!

IP Rating: IP40

Beam angle: 120° !

Optional Accessories



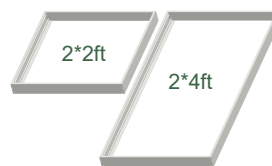
Motion Sensor



Sensor Remote



Emergency Driver

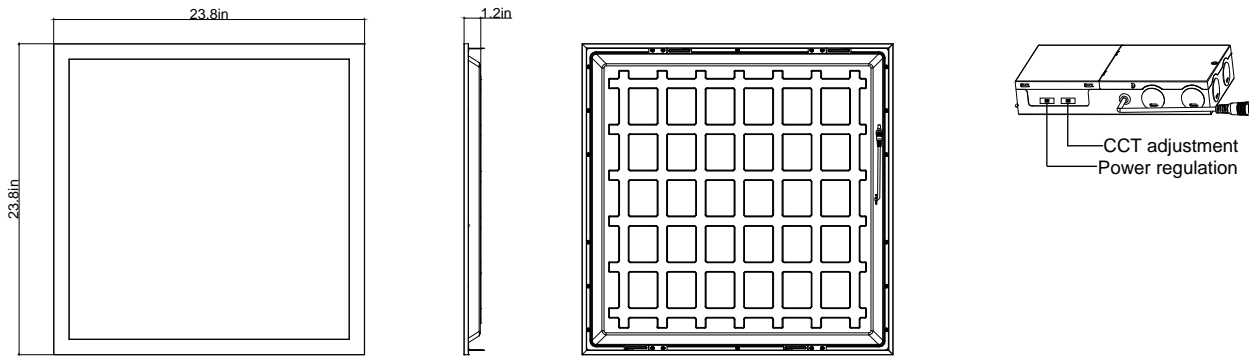


Surface Mount Kit

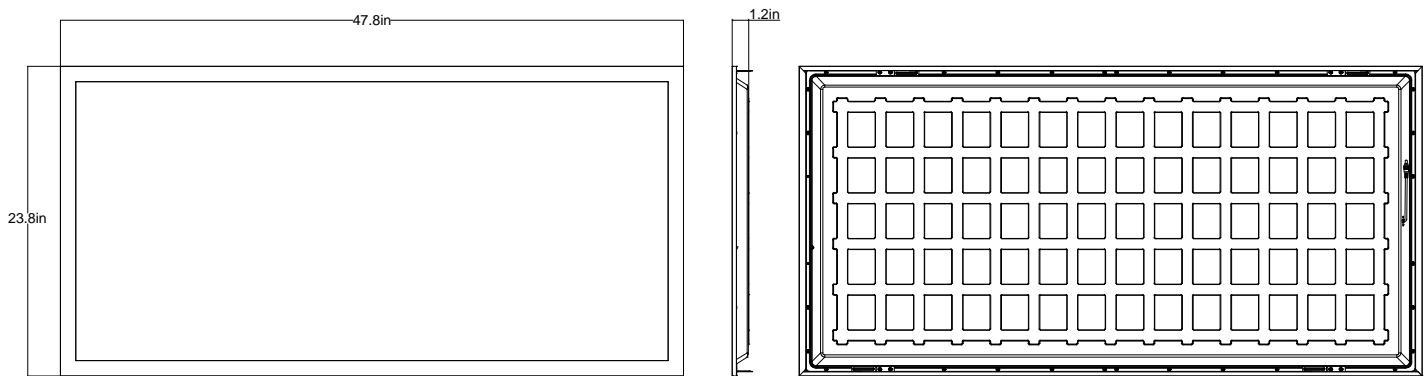
Model No	Power (W)	Voltage	CRI	5000K		Dimension	Weight (lbs)
				Lumens	Efficacy		
ML-PS2*2-K40-CCDD	20W	100-277V	>80	2540 lm	127 lm/W	23.8*23.8*1.2"	4.85
	30W	100-277V	>80	3810 lm	127 lm/W	23.8*23.8*1.2"	4.85
	40W	100-277V	>80	5000 lm	125 lm/W	23.8*23.8*1.2"	4.85
ML-PS2*4-K60-CCDD	40W	100-277V	>80	5080 lm	127 lm/W	47.8*23.8*1.2"	8.5
	50W	100-277V	>80	6350 lm	127 lm/W	47.8*23.8*1.2"	8.8
	60W	100-277V	>80	7500 lm	125 lm/W	47.8*23.8*1.2"	8.8

Dimensions

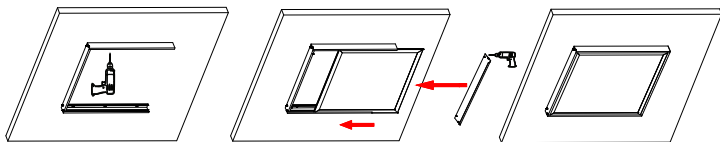
ML-PS2*2-K40-CCDD :20W,30W,40W



ML-PS2*4-K60-CCDD :40W,50W,60W



Installation Diagram



1. Install the frame as shown in the picture.
2. Place the lighting fixture into the frame from the open side.
3. After installing the lighting fixture, install the last side of the frame and tighten the screws. Finish.

Distribution Diagram

