

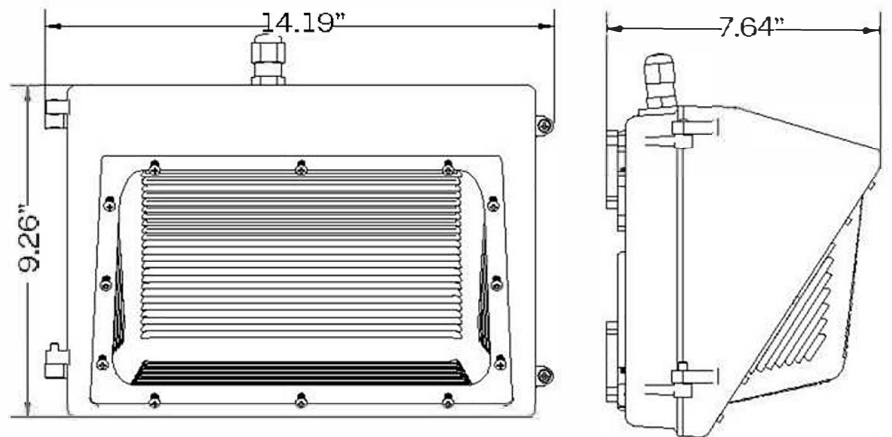
LED WALL PACK

ML-WP-80WB1



FEATURES

- IP65 Internal driver
- UL Certified
- High CRI
- 100-277Vac 50/60Hz
- Operating Temperature:
-20° TO 45°



ADVANTAGES

- No UV or IR in the beam
- Easy to install and operate
- Energy Saving, long lifespan
- Instant Start. NO Humming
- Green and eco-friendly without mercury

APPLICATIONS

- Entrance Lighting
- Courtyard Lighting
- Outdoor Landscape Lighting
- Industrial lighting
- Buildings/Hotels/AreaWall Lighting

4224 Northeast Expressway Atlanta, GA 30340

888.533.7860 • www.metroled.com • info@metroled.com

TECHNICAL DATA SHEET

LED WALL PACK

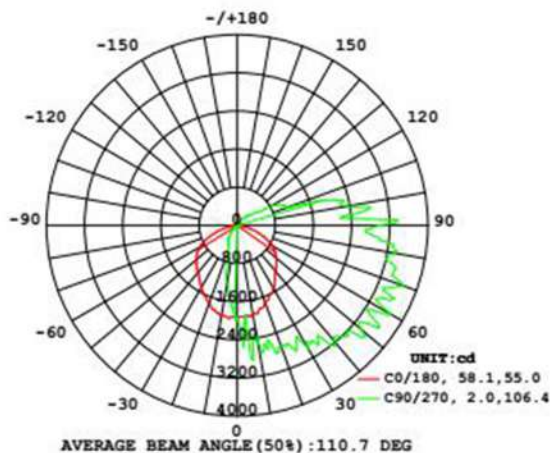
ML-WP-80WB1

INPUT POWER	INPUT VOLTAGE	LUMEN	VIEWING ANGLE	LUMEN EFFICACY	PF	CRI	CCT
80W	100-277Vac (50/60Hz)	9200- 10000Lm	110°	115-125Lm/W	>0.9	>80	3000K,3500K,4000K, 4500K,5000K,5700K

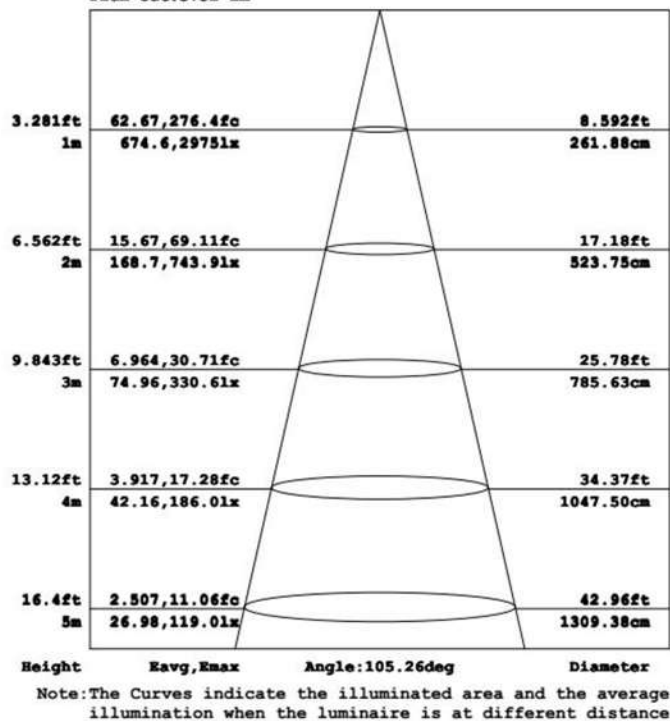
Light Distribution Testing Parameters

DATA OF LAMP		PHOTOMETRIC DATA			
MODEL		Imax (cd)	3724	S/MH (C0/180)	1.17
NOMINAL POWER (W)	80	LOR (%)	100.0	S/MH (C90/270)	0.45
RATED VOLTAGE (V)	120	TOTAL FLUX (lm)	9885.1	η UP, DN (C0-180)	19.6, 69.7
NOMINAL FLUX (lm)	9885.13	CIE CLASS	SEMI-D.	η UP, DN (C180-360)	0.5, 10.3
LAMPS INSIDE	1	η up (%)	20.1	CIBSE SHR NOM	1.00
TEST VOLTAGE (V)	120.0	η down (%)	79.9	CIBSE SHR MAX	1.15

Luminosity Intensity Distribution Diagram



Flux out: 3732 lm



4224 Northeast Expressway
 Atlanta, Ga 30340
 888.533.7860
 info@metroled.com
 www.metroled.com

