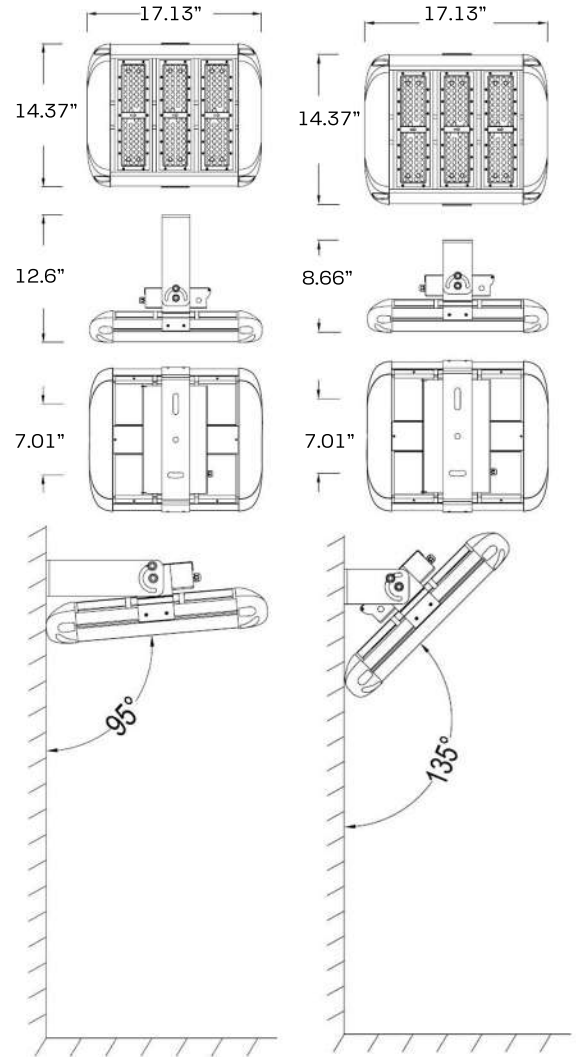


LED Flood Light

ML-FL-150W-111X-1601



FEATURES

- Phillip Chip, High CRI
- UL & DLC Listed
- Various mounting configurations
- 100-277Vac 50/60Hz
- IP65 Waterproofing
- 150*75° lens angle

ADVANTAGES

- No UV or IR in the beam
- Easy to install and operate
- Energy Saving, long lifespan
- Instant Start. NO Flickering, NO Humming
- Green and eco-friendly without mercury

APPLICATIONS

- Factory floor
- Libraries/Parks
- Railway Stations
- Super Markets
- Advertising lighting

4224 Northeast Expressway Atlanta, GA 30340

888.533.7860 • www.metroled.com • info@metroled.com

TECHNICAL DATA SHEET

LED FLOOD LIGHT

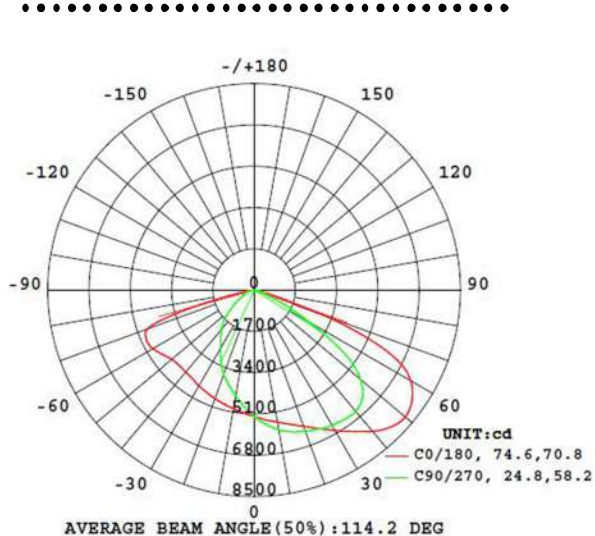
ML-FL-150W-111X-1601

INPUT POWER	INPUT VOLTAGE	LUMEN	EFFICANCY	VIEWING ANGLE	PFC	CRI	CCT
150W	100-277Vac (50/60Hz)	20000- 21000Lm	139 Lm/W	150*75 Degree (Type II)	>0.9	>70	4000K, 5000K 5700K

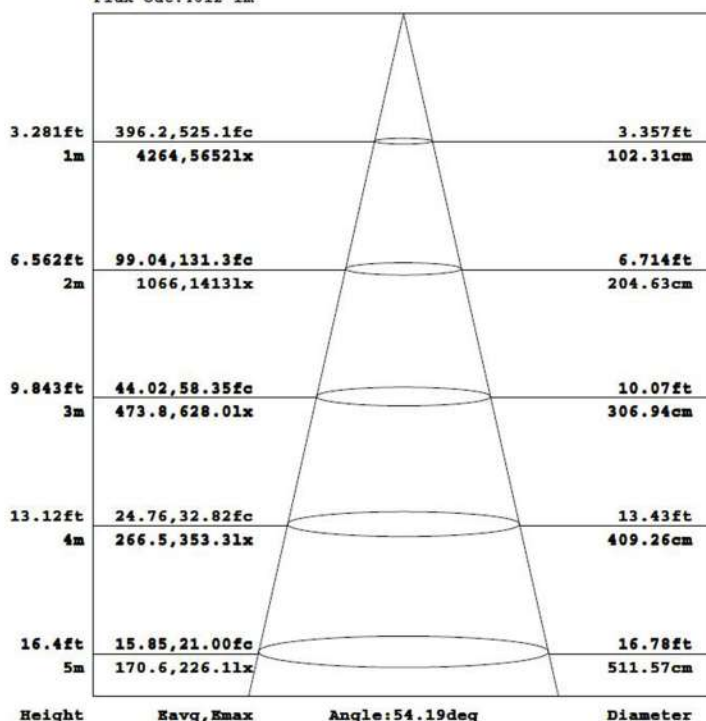
Light Distribution Testing Parameters

DATA OF LAMP		PHOTOMETRIC DATA				Eff: 139.08 lm/W
MODEL	150W	Imax (cd)	10834	S/MH (C0/180)	1.32	
NOMINAL POWER (W)	150	LOR (%)	100.0	S/MH (C90/270)	0.87	
RATED VOLTAGE (V)	120	TOTAL FLUX (lm)	20867	η UP, DN (C0-180)	0.1, 70.7	
NOMINAL FLUX (lm)	20867.2	CIE CLASS	DIRECT	η UP, DN (C180-360)	0.1, 29.1	
LAMPS INSIDE	1	η up (%)	0.2	CIBSE SHR NOM	1.50	
TEST VOLTAGE (V)	120.0	η down (%)	99.8	CIBSE SHR MAX	1.55	

Luminosity Intensity Distribution Diagram



Flux out: 4612 lm



Note: The Curves indicate the illuminated area and the average illumination when the luminaire is at different distance.



4224 Northeast Expressway
 Atlanta, Ga 30340
 888.533.7860
 info@metroled.com
 www.metroled.com

